

THIS DOCUMENT CONTAINS PROPRIETARY DATA OF POLARIS INDUSTRIAL ENTERPRISES, INC. NO DISCLOSURE, REPRODUCTION, OR USE OF ANY PART THEREOF MAY BE MADE EXCEPT BY WRITTEN PERMISSION.

REV. BY DATE APPRVL E/M FC200A-10

ELECTRICAL

RESISTANCE = 10K ±20%
 LINEARITY = ±3%
 ELECTRICAL ANGLE = APPROX. 70°
 OUTPUT SMOOTHNESS = BELOW 0.2% OF INPUT
 CONTACT RESISTANCE VARIATION = < 5% CRV
 RESOLUTION = ESSENTIALLY INFINITE
 DIELECTRIC STRENGTH = 500VAC, 1 MIN.
 INSULATION RESISTANCE = 1000 MEGOHM MIN AT 500 VDC
 WIPER CURRENT = 1mA MAX

OUTPUT CABLE
 0.5mm X 3 CORES
 LENGTH 3'

MECHANICAL

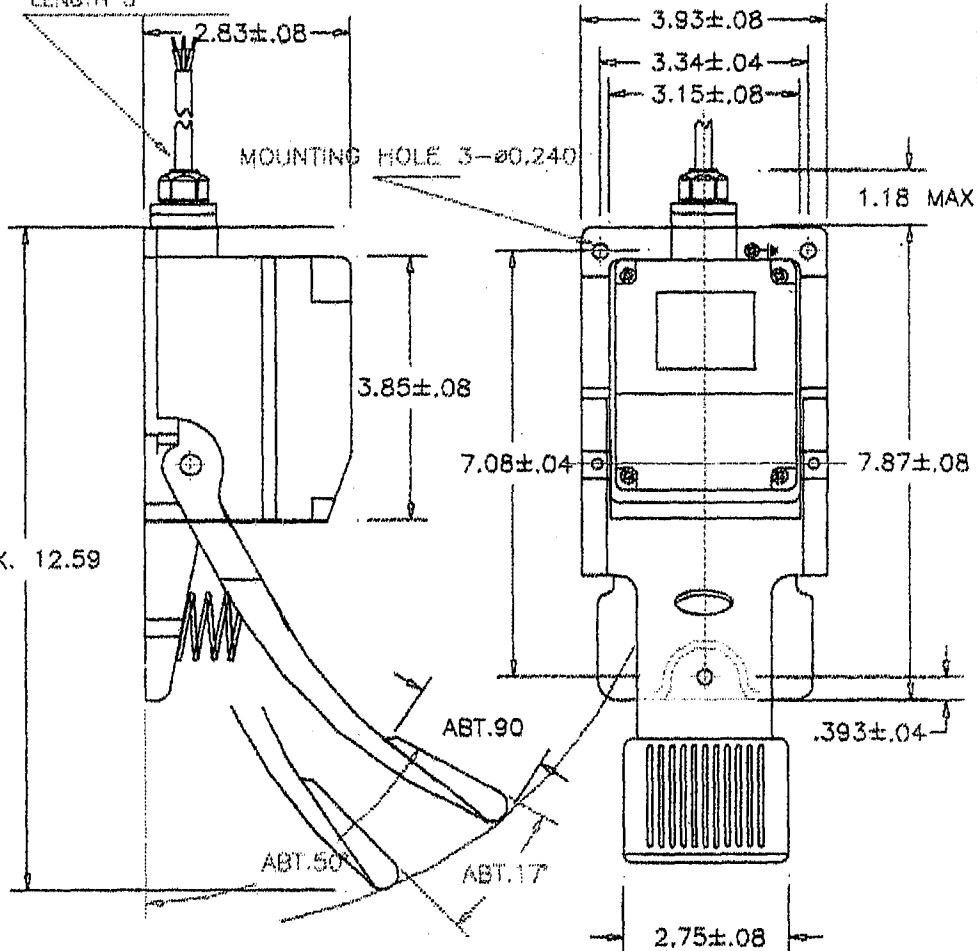
OPERATING ANGLE = APPROX. 17°
 OPERATING FORCE = 100Ggf~2200gf
 AUTOMATIC SPRING RETURN
 OPERATING TEMPERATURE = -20°~+85°C
 WEIGHT = APPROX. 1.2KG
 LIFE EXPECTANCY ~ 2,000,000 OPERATIONS

ENVIRONMENTAL

VIBRATION = 10~55HZ 10G
 SHOCK = 30G
 IP RATING = 54

OPTIONS

1 mA, 24V CODE SWITCH
 5A, 125V MICRO SWITCH
 DUAL GANGED POTENTIOMETER.
 SPECIAL RESISTANCE VALUE.
 INTERMEDIATE TAP ON POTENTIOMETER (CURRENT 8°)
 IP65 RATING.



TOLERANCES
 XX = +/- .015" FRACT. = +/- 1/64"
 XXX = +/- .005" ANGLES = +/- 1/2"
 ALL SPECIFICATIONS SUBJECT TO CHANGE WITHOUT NOTICE.

SCALE	DATE: 18-03-02
NONE	BY AT
CODE IDENT: 19477	APPRV'D

PRECISION SALES INC
 P: 610-359-1002
 F: 610-353-1674

www.precisionsales.com

PART NO.
FC200A-10