

THIS DOCUMENT CONTAINS PROPRIETARY DATA OF POLARIS INDUSTRIAL ENTERPRISES, INC. NO DISCLOSURE, REPRODUCTION, OR USE OF ANY PART THEREOF MAY BE MADE EXCEPT BY WRITTEN PERMISSION.

REV.	BY	DATE	APPRVL.	E/N	FC120B-10

**ELECTRICAL**

RESISTANCE = 10K ±20%  
 LINEARITY = ±3%  
 ELECTRICAL ANGLE = APPROX. 100°  
 OUTPUT SMOOTHNESS = BELOW 0.2% OF INPUT  
 CONTACT RESISTANCE VARIATION = < 5% CRV  
 RESOLUTION = ESSENTIALLY INFINITE  
 DIELECTRIC STRENGTH = 500VAC, 1 MIN.  
 INSULATION RESISTANCE = 1000 MEGOHM MIN  
 AT 500 VDC

WIPER CURRENT = 1mA MAX

**MECHANICAL**

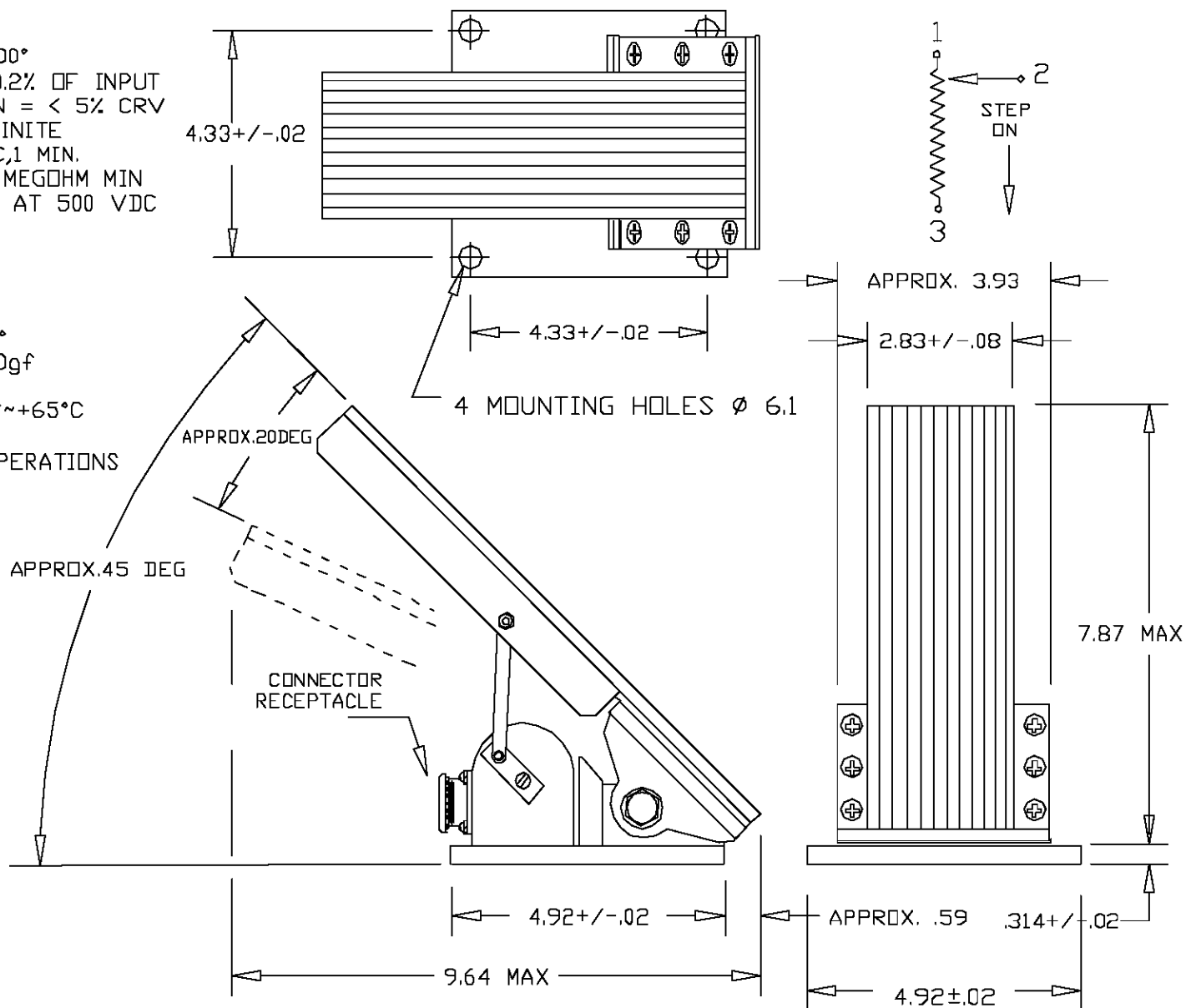
OPERATING ANGLE = APPROX. 20°  
 OPERATING FORCE = 1000gf~2200gf  
 AUTOMATIC SPRING RETURN  
 OPERATING TEMPERATURE = -20°~+65°C  
 WEIGHT = APPROX. 1.5KG  
 LIFE EXPECTANCY ~ 2,000,000 OPERATIONS

**ENVIRONMENTAL**

VIBRATION = 10~55HZ 10G  
 SHOCK = 30G  
 IP RATING = 54

**OPTIONS**

1 mA, 24V CODE SWITCH  
 5A, 125V MICRO SWITCH  
 SPECIAL RESISTANCE VALUE.  
 IP65 RATING.



PRECISION SALES INC.  
 P : 610-359-1002  
 F : 610-353-1674  
 eparts@ix.netcom.com

www.precisionsales.com

TITLE  
**FOOT  
 PEDAL**

PART NO.  
**FC120B-10**