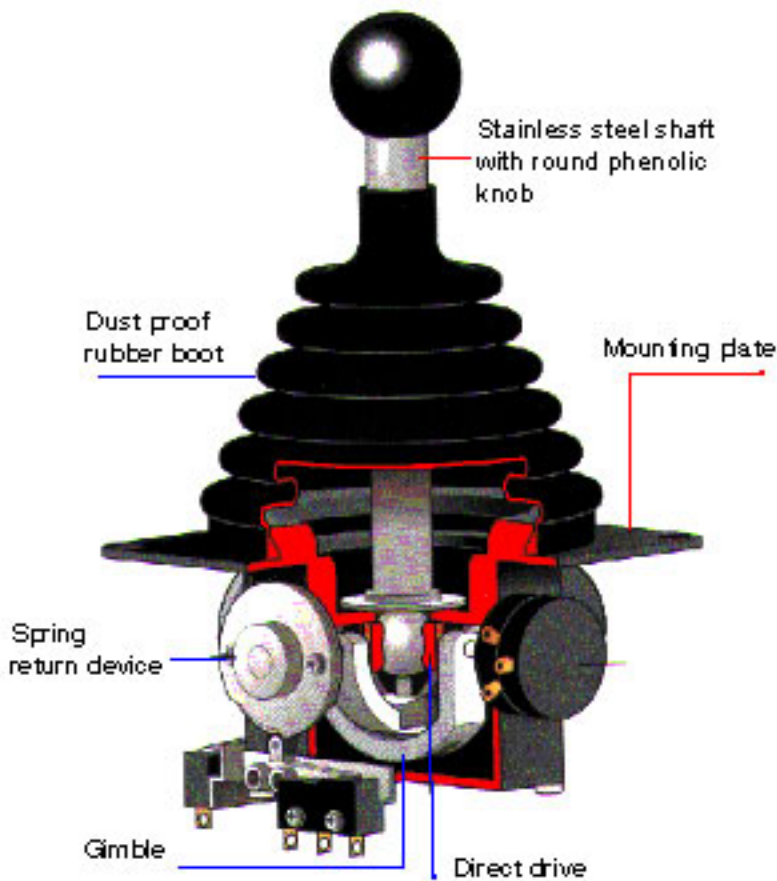


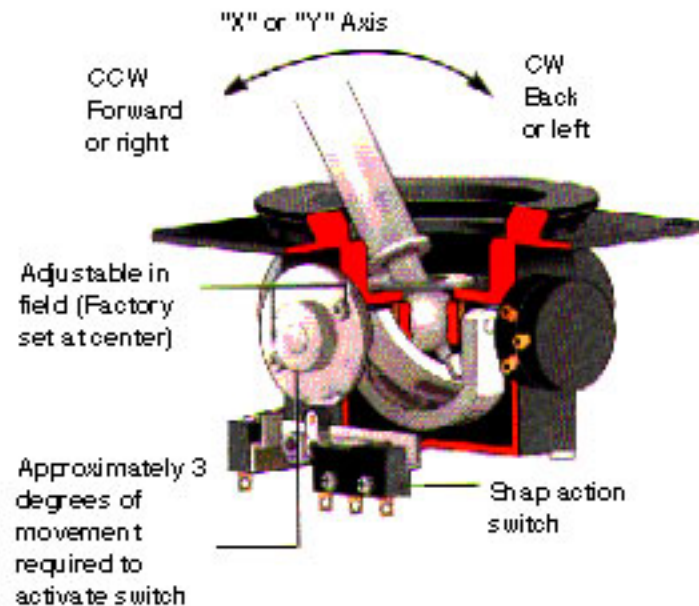
Precision Sales

Model J50 as illustrated:
Dual axis with 2 potentiometers &
2 center detect switches

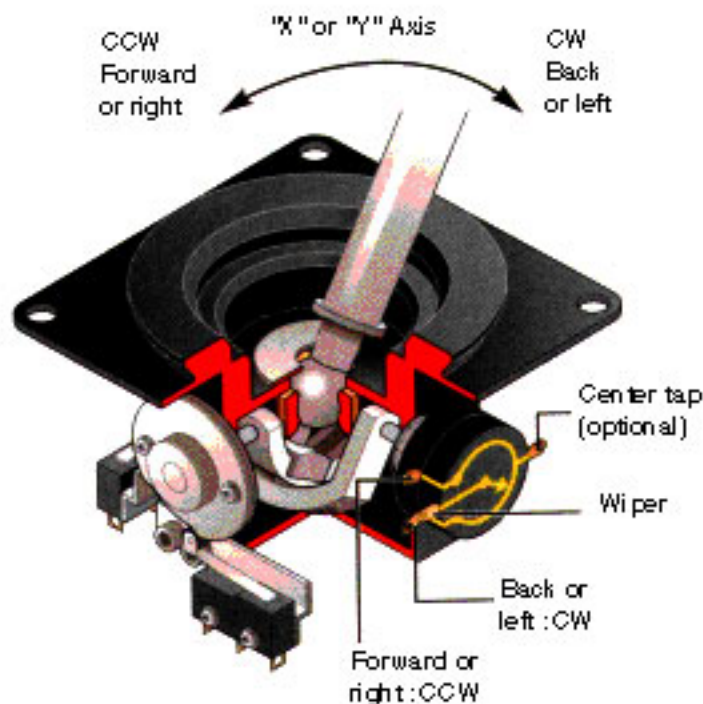
www.precisionsales.com
eparts@ix.netcom.com
610-359-1002
F : 610-363-1674



Switch Configuration



Potentiometer Configuration



Suggested Potentiometer Hook Ups

