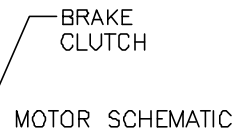
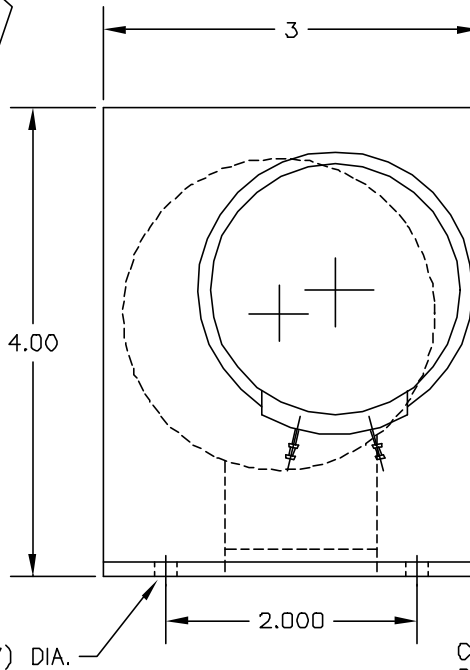
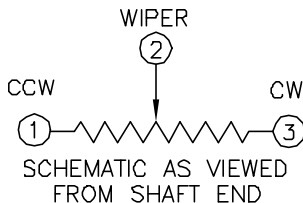
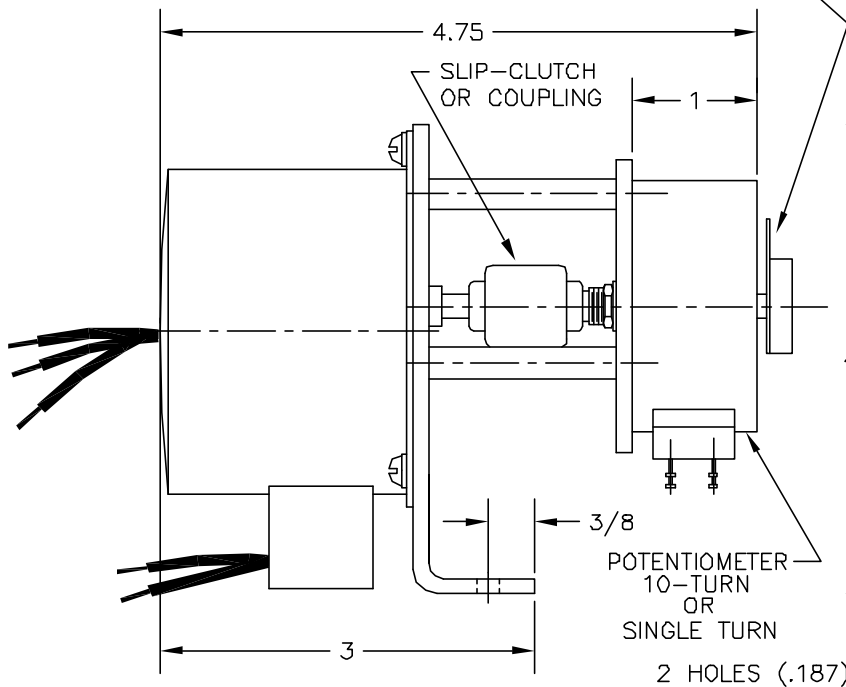


PART NO. DESIGNATION

M2261

BASIC PART No.

OPTIONAL
POINTER AVAILABLE
ONLY ON SINGLE TURN
POTENTIOMETER.



DASH No.	RESISTANCE (Ohms)
251	250
501	500
102	1,000
202	2,000
252	2,500
502	5,000
103	10,000
203	20,000
503	50,000
104	100,000

CAPACITOR VALUE: C
0.5 MFD @ 400 VDC

REV. SWITCH (NOT INCL.)
CONTROL SWITCH (NOT INCL.)

115 V. AC
CURRENT APPLIED TO THE BLACK AND WHITE LEADS GIVES RIGHT ROTATION. SWITCHING THE CURRENT TO BLACK AND RED GIVES LEFT ROTATION. MOTOR RUNS CONTINUOUSLY. START-STOP CONTROLLED BY CLUTCH FOR MOST ACCURATE TIMING.

- 2.6 AVAILABLE IN SINGLE TURN AND 10 TURN.
- 2.5 UP TO 6 SINGLE TURN POTENTIOMETERS OR SWITCHES MAY BE ADDED.
- 2.4 WATTAGE: SEE POTENTIOMETER SPECS.
- 2.3 INDEPENDENT LINEARITY: $\pm 0.5\%$.
- 2.2 ROTATION: SEE POTENTIOMETER SPECS.
- 2.1 STANDARD RESISTANCE: SEE CHART.

2. POTENTIOMETER DATA

- 1.5 CAPACITOR INCLUDED.
- 1.4 POSITIVE CLUTCH AND INSTANTANEOUS BRAKE.
- 1.3 STANDARD RPM: 1, 2, 4, 6, 10, 12, 30, 60.
- 1.2 REVERSIBLE MOTOR 115 V AC, 60 Hz, 5W, CLUTCH 2.5 W.
- 1.1 CONTINUOUS DUTY SYNCHRONOUS.

1. MOTOR DATA.

REVISIONS				
C/L	DESCRIPTION	BY	APP'D	DATE
J	ADDED NOTES 2.5 AND 2.6.	MC	A-D	03/18/99
K	UPDATED MOTOR SPEC # 1.2	MC	A-D	05/05/99
L	REVISED POINTER OPTION NOTE	Martin Corona	A-D	05/13/99
M	REVISED NOTES & DEL. P/N	Martin Corona	A-D	05/12/00

TOLERANCES UNLESS OTHERWISE SPECIFIED		PRECISION SALES INC. www.precisionsales.com	
FRACTIONS $\pm 1/64$	DECIMALS .XX $\pm .010$.XXX $\pm .005$	P: 610-359-1002	F: 610-353-1674
THESE DRAWINGS AND SPECIFICATIONS ARE THE PROPERTY OF MAUREY INSTRUMENT CORP AND ARE ISSUED IN STRICT CONFIDENCE AND SHALL NOT BE REPRODUCED OR COPIED OR USED AS THE BASIS FOR THE MANUFACTURE OR SALE OF APPARATUS IN WHOLE OR IN PART WITHOUT PERMISSION			
PART NO. X M2261		SCALE NONE	M2261 M
NEXT ASSY.		DATE 07/07/93	