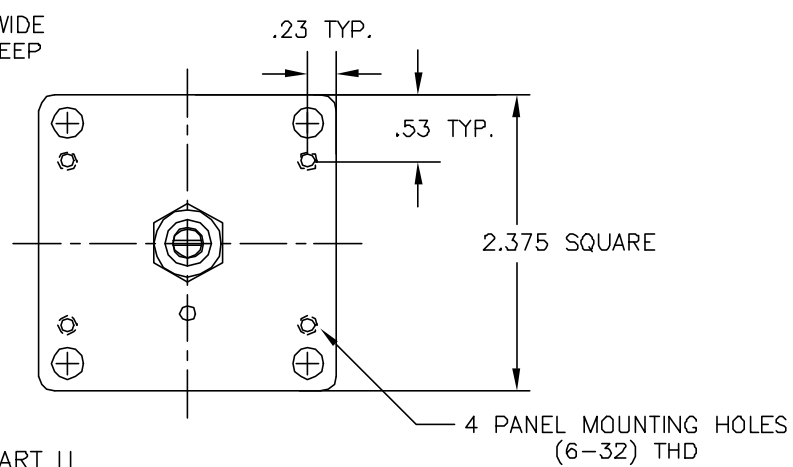


REVISIONS				
C/L	DESCRIPTION	BY	APP'D	DATE
A	REVISED NOTES	MC	AD	5/10/00



- 3.2 SEALED CONSTRUCTION.
- 3.1 ANODIZED ALUMINUM BASE.
- 3. GENERAL SPECIFICATIONS.

- 2.9 MECHANICAL ANGLE:  $3600^\circ +4^\circ -0^\circ$
- 2.8 ELECTRICAL ANGLE:  $3600^\circ +4^\circ -0^\circ$
- 2.7 THEORETICAL RESOLUTION: SEE CHART 2.
- 2.6 ROTATIONAL LIFE: 2,000,000 SHAFT REVOLUTIONS.
- 2.5 RESISTANCE TOLERANCE:  $\pm 3\%$
- 2.4 WATTAGE: 5 WATTS @  $40^\circ\text{C}$ , 0 WATTS @  $125^\circ\text{C}$ .
- 2.3 INDEPENDENT LINEARITY:  $\pm 0.15\%$ .
- 2.2 TEN TURN POTENTIOMETER
- 2.1 STANDARD RESISTANCE: SEE CHART II .(OTHER VALUES ON REQUEST.)

CHART II

203	20,000	.011
103	10,000	.010
502	5,000	.013
102	1,000	.020
DASH No.	RESISTANCE OHMS	RESOLUTION %

CHART I

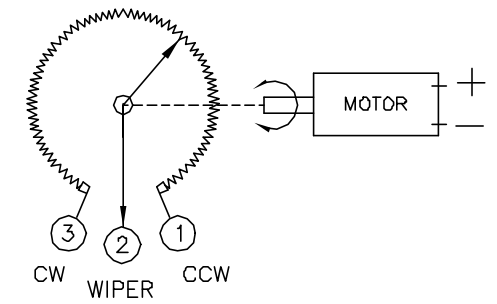
35	55	52
28	52	40
24	50	30
12	48	14
6	45	5
VOLTAGE DC	ma	RPM
NO LOAD		

2. POTENTIOMETER DATA.

- 1.7 REVERSIBLE DC MOTOR.
- 1.6 TYPE: PERMANENT MAGNET.
- 1.5 BREAK AWAY VOLTAGE: 5 VOLTS. DC.
- 1.4 TORQUE AT 6 VOLTS: 20 OUNCE-INCHES.
- 1.3 CURRENT: (SEE CHART I).
- 1.2 VOLTAGE, DC: (SEE CHART I).
- 1.1 SPEED: (SEE CHART I).

1. MOTOR SPECIFICATIONS.

POTENTIOMETER SCHEMATIC AS VIEWED FROM PANEL END



TOLERANCES UNLESS OTHERWISE SPECIFIED FRACTIONS $\pm 1/64$ DECIMALS .XX $\pm .010$ ANGLES $\pm 1/2^\circ$ .XXX $\pm .005$		PRECISION SALES INC.      www.precisionsales.com P: 610-359-1002              F: 610-353-1674	
THESE DRAWINGS AND SPECIFICATIONS ARE THE PROPERTY OF MAUREY INSTRUMENT CORP AND ARE ISSUED IN STRICT CONFIDENCE AND SHALL NOT BE REPRODUCED OR COPIED OR USED AS THE BASIS FOR THE MANUFACTURE OR SALE OF APPARATUS IN WHOLE OR IN PART WITHOUT PERMISSION		DRAWN BY MC	SCALE NONE
PART NO.      XM3285		APP'D AD	DATE 3/5/00
NEXT ASSY.		M3285      A	