

# M1326

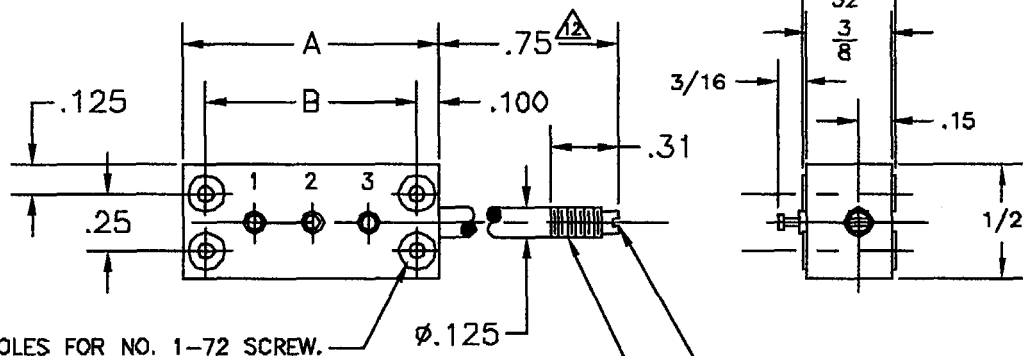


CHART II

DASH NUMBER	A	B	MECHANICAL TRAVEL	ELECTRICAL TRAVEL
1	2.00	1.80	1.10	1.000
2	3.00	2.80	2.10	2.000
3	4.00	3.80	3.10	3.000
4	5.00	4.80	4.10	4.000
5	6.00	5.80	5.10	5.000
6	7.00	6.80	6.10	6.000
7	8.00	7.80	7.10	7.000
8	9.00	8.80	8.10	8.000
9	10.0	9.80	9.10	9.000
10	11.0	10.80	10.10	10.000
11	12.0	11.80	11.10	11.000
12	13.0	12.80	12.10	12.000

COMPLETE PART NUMBER FOR STANDARD SHAFT:  
**M1326-XX-XXX A**  
 DO NOT USE ANY LETTER  
 XX - SHAFT OPTION (PLAIN SHAFT)  
 XXX - RESISTANCE  
 A - ELECTRICAL TRAVEL  
 MODEL NUMBER

SCREWDRIVER SLOT  
 (STANDARD)  
 5-40 NC-2A THREAD.

SHAFT OPTIONS

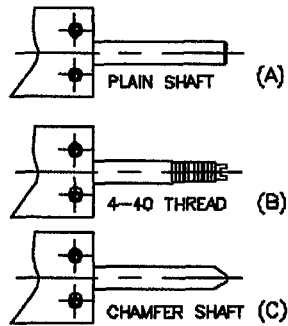
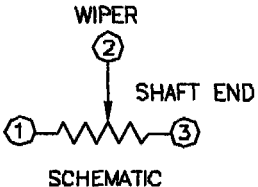


CHART I

RESISTANCE	TRAVEL
104	100,000
503	50,000
253	25,000
203	20,000
103	10,000
502	5,000
252	2,500
202	2,000
102	1,000
501	500
251	250
101	100
50R	50



20. WHEN ORDERING SPECIFY ELECTRICAL TRAVEL, RESISTANCE & SHAFT OPTION.
19. SHAFT MAY BE FREELY ROTATED.
18. HARDWARE: 4 EA. 1-72 X 7/8 SCREWS AND 5-40 HEX NUT.
17. GOLD PLATED TERMINALS.
16. PRECIOUS METAL CONTACTS.
15. STAINLESS STEEL SHAFT.
14. ANODIZED ALUMINUM HOUSING.
13. SHAFT FRICTIONAL FORCE: 4 OUNCES, MAX.
12. SHAFT SHOWN IN RETRACTED POSITION.
11. EQUIVALENT NOISE RESISTANCE: 100 OHMS, MAX.
10. LIFE 500,000 CYCLES AT 60 INCHES/MIN.
9. DIELECTRIC STRENGTH: 750 VOLTS AC.
8. POWER RATING: 1 WATT/INCH AT 40 °C, DERATED TO ZERO AT 125 °C.
7. OPERATING TEMPERATURE RANGE: -55° TO +125 °C.
6. TOTAL MECHANICAL TRAVEL: SEE CHART II, ±.030" ELECTRICALLY CONTINUOUS.
5. ACTUAL ELECTRICAL TRAVEL: SEE CHART II, ±.010".
4. INDEPENDENT LINEARITY: SEE CHART III. (SEE SHEET 2)
3. THEORETICAL RESOLUTION: SEE CHART III. (SEE SHEET 2)
2. TOTAL RESISTANCE TOLERANCE: ±5%.
1. TOTAL RESISTANCE: SEE CHART I, OTHER VALUES ON REQUEST

Precision Sales Inc  
 www.precisionsales.com  
 610-359-1002