

REVISIONS				
C/L	DESCRIPTION	BY	APP'D	DATE
M	REDRAWN	OK	EM	9/12/90
N	REVISED NOTE #1 AND ADDED #19.	MC	A:D	01/03/99
P	REVISED SCHEMATIC.	MC	A:D	9/14/99
Q	ADDED NOTE 20, REV P/N DES.	MC	A:D	5/21/00

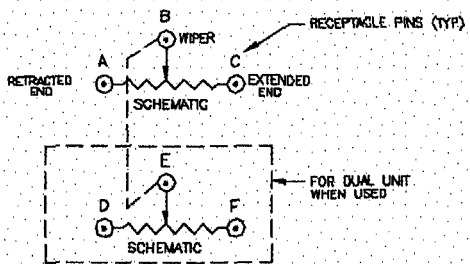
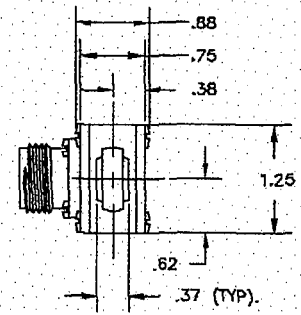
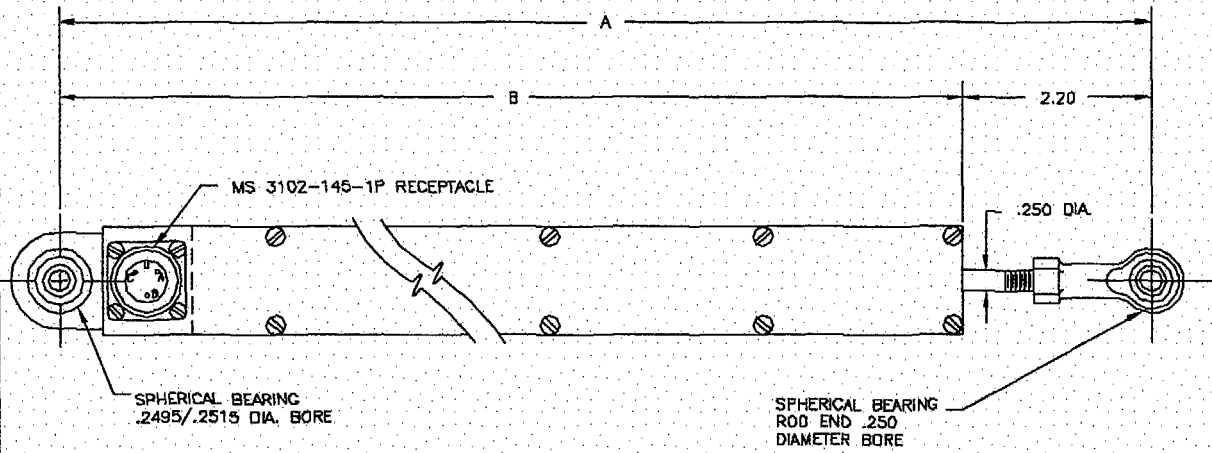


CHART I

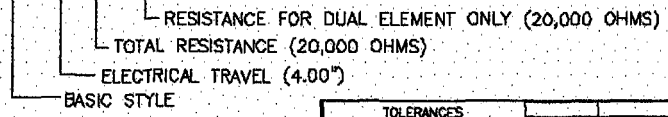
DASH NO	TOTAL RESISTANCE
501	500
102	1,000
202	2,000
502	5,000
103	10,000
203	20,000
503	50,000
104	100,000

CHART II

DASH NO.	ELECT. TRAVEL	MECH. TRAVEL	LIN.	A	B	LIFE CYCLES
-1	1.00	1.25	±2%	12.7	10.5	500 X 10 ⁸
-2	2.00	2.25	±1%	12.7	10.5	500 X 10 ⁶
-3	3.00	3.25	±.7%	12.7	10.5	500 X 10 ⁶
-4	4.00	4.25	±.5%	12.7	10.5	500 X 10 ⁸
-5	5.00	5.12	±.5%	12.7	10.5	500 X 10 ⁶
-6	6.00	6.25	±.5%	18.0	15.8	200 X 10 ⁸
-7	7.00	7.25	±.5%	18.0	15.8	200 X 10 ⁶
-8	8.00	8.25	±.5%	18.0	15.8	200 X 10 ⁸
-9	9.00	9.25	±.5%	18.0	15.8	200 X 10 ⁶
-10	10.00	10.25	±.5%	18.0	15.8	200 X 10 ⁸
-11	11.00	11.25	±.5%	23.2	21.0	100 X 10 ⁸
-12	12.00	12.25	±.5%	23.2	21.0	100 X 10 ⁶
-13	13.00	13.25	±.5%	23.2	21.0	100 X 10 ⁸
-14	14.00	14.25	±.5%	23.2	21.0	100 X 10 ⁶
-15	15.00	15.25	±.5%	23.2	21.0	100 X 10 ⁸

20. WHEN ORDERING DUAL ELEMENT ADD ADDITIONAL RESISTANCE VALUE FOR SECOND ELEMENT ONTO THE PART#.
19. MINIMUM RESISTANCE: 500 Ohms PER INCH OF TRAVEL.
18. SEE CHART III FOR PART NUMBER DESIGNATION.
17. MATING CONNECTOR TO BE SUPPLIED.
16. SPECIAL ELECTRICAL AND MECHANICAL TOLERANCES ON REQUEST.
15. STAINLESS STEEL SHAFT.
14. ANODIZED ALUMINUM HOUSING.
13. SHAFT FRICTIONAL FORCE: 8 OZ., NOMINAL.
12. LIFE EXPECTANCY: AT 10"/SEC MAX. VELOCITY: SEE CHART II.
11. OUTPUT SMOOTHNESS: 1%.
10. DIELECTRIC STRENGTH: 750 VOLTS AC.
9. POWER RATING: .5 WATT/INCH AT 40°C.
8. OPERATING TEMPERATURE RANGE: -55° TO +105°C.
7. TEMPERATURE COEFFICIENT OF RESISTANCE: 500 PPM/°C.
6. TOTAL MECHANICAL TRAVEL: SEE CHART II.
5. THEORETICAL ELECTRICAL TRAVEL: SEE CHART II.
4. INDEPENDENT LINEARITY: SEE CHART II.
3. THEORETICAL RESOLUTION: ESSENTIALLY INFINITE.
2. TOTAL RESISTANCE TOLERANCE: ±20%.
1. TOTAL RESISTANCE: SEE CHART I.

CHART III
PART NUMBER DESIGNATION
P1991-4-203-203



TOLERANCES UNLESS OTHERWISE SPECIFIED	
FRACTIONS ±1/64	DECIMALS .01, .03, .05
ANGLES ±1/2°	SIZE .000

www.precisionsales.com	
POTENTIOMETER, CP, LINEAR MOTION	
CUSTOMER: MAUREY STD	
DRAWN BY: DM	DATE: 1X
CHECKED BY: JMG	DATE: 5/1/77
PART NO. NEXT ASSY.	P1991 Q