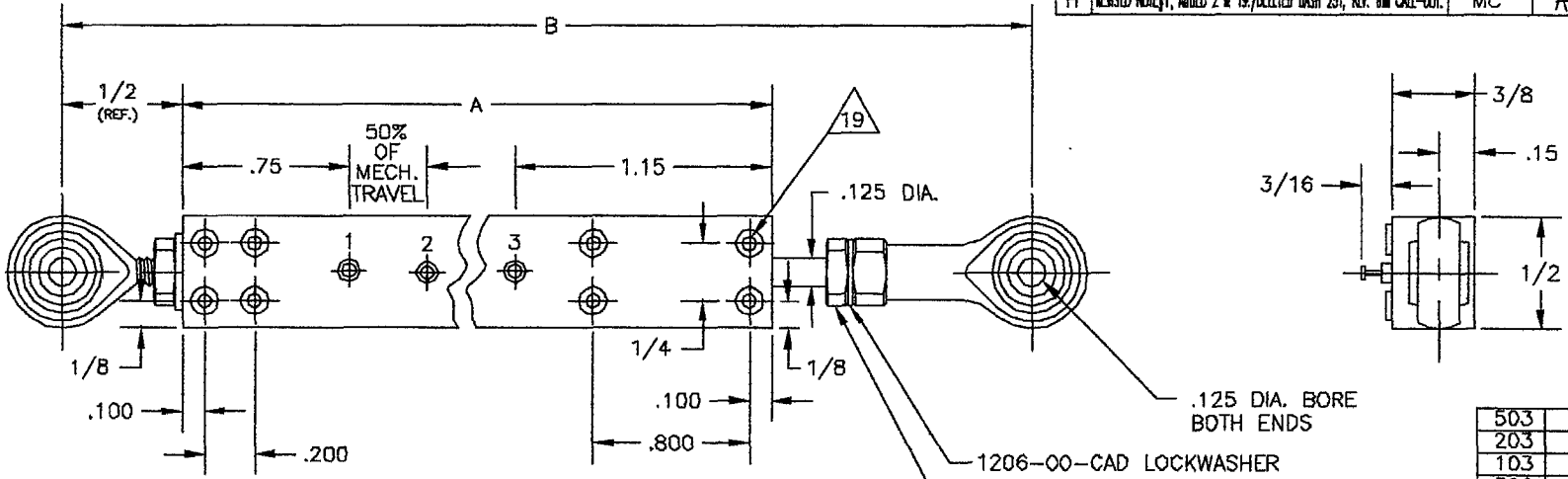


REVISIONS				
C/L	DESCRIPTION	BY	APP'D	DATE
G	REVISED LINEARITY CHART.	MARTIN CORONA	A-D	09/15/98
H	REVISED MODEL #1, ADDED 2 & 19/DELETED DASH 251, REV. DIM CALL-OUT.	MC	A-D	03/09/99



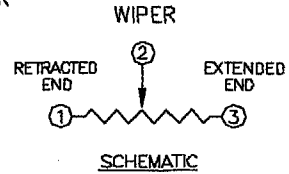
COMPLETE PART NUMBER:

P2080-XX-XXX

RESISTANCE  
ELECTRICAL TRAVEL  
MODEL NUMBER

503	50,000
203	20,000
103	10,000
502	5,000
252	2,500
202	2,000
102	1,000
501	500
DASH NO.	RESISTANCE (±20%)

20. FOR LINEAR MOTION POT WITH C.T. SEE P3235.
19. CLEARANCE HOLES FOR (4) #1-72 MTG. SCREWS (SCREWS & NUTS SUPPLIED).
18. GOLD PLATED TERMINALS.
17. PRECIOUS METAL CONTACTS.
16. SHAFT MAY BE FREELY ROTATED.
15. STAINLESS STEEL SHAFT.
14. ANODIZED ALUMINUM HOUSING.
13. FRICTIONAL FORCE: 4 OZ., NOMINAL.
12. OUTPUT SMOOTHNESS: 1%.
11. LIFE: 20,000,000 CYCLES AT 60 INCHES/MIN.
10. DIELECTRIC STRENGTH: 750 VOLTS AC.
9. POWER RATING: 0.5 WATT PER INCH AT 40°C.
8. OPERATING TEMPERATURE RANGE: -55 TO +105°C.
7. TOTAL MECHANICAL TRAVEL: SEE CHART.
6. THEORETICAL ELECTRICAL TRAVEL: SEE CHART.
5. INDEPENDENT LINEARITY: SEE CHART.
4. TOTAL RESISTANCE: SEE CHART.
3. THEORETICAL RESOLUTION: INFINITE.
2. MINIMUM RESISTANCE: 500 OHMS PER INCH OF TRAVEL.
1. TOTAL RESISTANCE: SEE CHART. (OTHER RESISTANCE VALUES UPON REQUEST.)



DASH NO.	A	B	MECH. TRAVEL	ELECT. TRAVEL	INDEP. LIN.
1	3.00	5.12	1.10	1.00	±2.0
2	4.00	6.12	2.10	2.00	±1.0
3	5.00	7.12	3.10	3.00	±0.7
4	6.00	8.12	4.10	4.00	±0.5
5	7.00	9.12	5.10	5.00	±0.5
6	8.00	10.12	6.10	6.00	±0.5

TOLERANCES UNLESS OTHERWISE SPECIFIED		www.precisionsales.com	
FRACTIONS ±1/64	DECIMALS .001 ±.010	POTENTIOMETER, LINEAR MOTION	
ANGLES ±1/2°	.002 ±.005	CUSTOMER	
THESE DRAWINGS AND SPECIFICATIONS ARE THE PROPERTY OF MAUREY INSTRUMENT CORP. AND ARE ISSUED IN STRICT CONFIDENCE AND SHALL NOT BE REPRODUCED OR COPIED OR USED AS THE BASIS FOR THE MANUFACTURE OR SALE OF APPARATUS IN WHOLE OR IN PART WITHOUT PERMISSION			
PART NO.	NEXT ASSY.	DM	EM
		DATE	04/18/83
		P2080	H