

SPECIFICATIONS

ELECTRICAL

RESISTANCE RANGE	---	SEE TABLE
RESISTANCE TOLERANCE	---	±20%
OUTPUT SMOOTHNESS	---	BELOW 0.1% OF INPUT VOLTS
CONTACT RESIS. VARIATION	---	BELOW 2%
INSULATION RESISTANCE	---	1000 MEGOHMS @ 500VDC
DIELECTRIC STRENGTH	---	1 MINUTE AT 500 VAC
RESOLUTION	---	ESSENTIALLY INFINITE

MECHANICAL

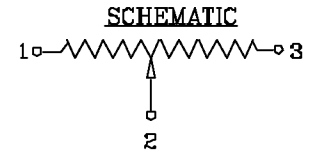
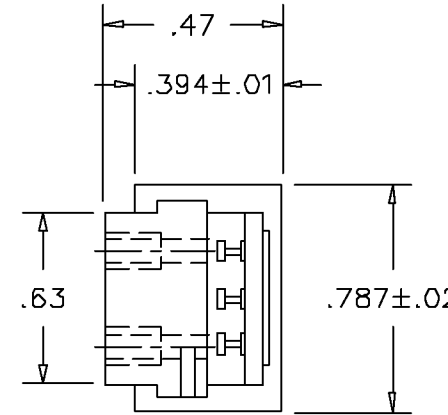
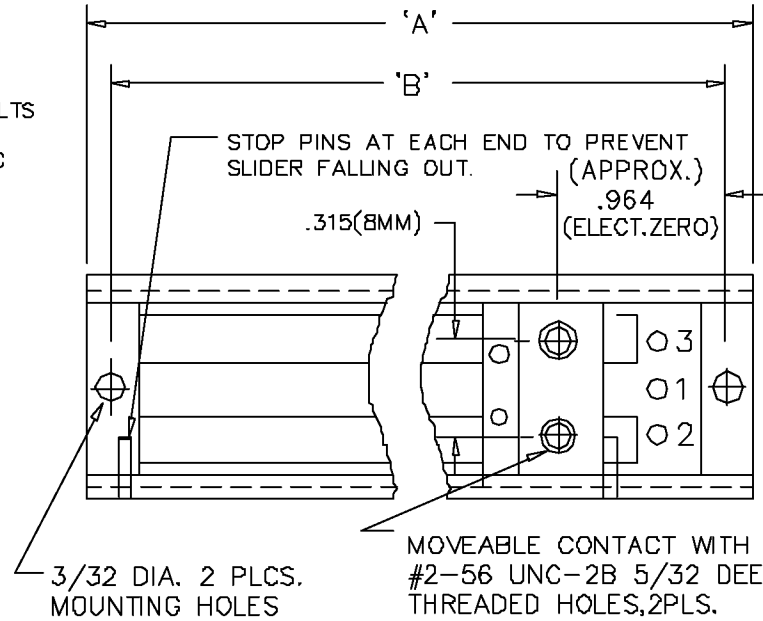
ROTATIONAL LIFE	-----	10,000.000 STROKES
-----------------	-------	--------------------

ENVIRONMENTAL

OPERATING TEMPERATURE	--	-30°C TO +105°C
TEMPERATURE COEFFICIENT	---	±400 PPM/°C
VIBRATION	-----	10HZ TO 2000HZ 15G
SHOCK	-----	50G 11MS
MOISTURE RESISTANCE	---	40°C 95%RH 120 HOURS

MATERIALS

HOUSING	-----	ALUMINUM
TERMINALS	-----	GOLD PLATED, BRASS
RESISTANCE ELEMENT	---	CONDUCTIVE PLASTIC



MODEL NO.	LCPL115	LCPL153	LCPL200	LCPL275	LCPL300	LCPL400	LCPL45B	LCPL500	LCPL533	LCPL610	LCPL1000	LCPL1220	
ELECTRICAL STROKE	4.52 ±.04	6.00±.04	7.874 ±.04	10.826 ±.04	11.811 ±.04	15.748 ±.04	18.000±.04	19.686 ±.04	21.000 ±.04	24.000±.04	39.370 ±.04	48.000 ±.04	
MECHANICAL STROKE (APPROX.)	4.646 ±.04	6.126 ±.04	8.000 ±.04	10.952 ±.04	11.929 ±.04	15.865 ±.04	18.118±.04	19.803 ±.04	21.197 ±.04	24.197±.04	39.557 ±.04	48.197 ±.04	
STANDARD RESISTANCE VALUES	1K,2K,5K,10K	1K,2K,5K,10K	2K,5K,10K	2K,5K,10K	5K,10K,20K	5K,10K,20K 50K,100K	5K,10K,20K 50K,100K	5K,10K,20K 50K,100K,200K	5K,10K,20K 50K,100K,200K	5K,10K,20K 50K,100K,200K	10K,20K,50K 100K,200K,500K	10K,20K,50K 100K,200K,500K	
LINEARITY (INDEPENDENT)	±0.5%	±0.5%	±0.5%	±0.5%	±0.5%	±0.5%	±0.5%	±0.5%	±0.5%	±0.5%	±0.5%	±0.5%	
POWER RATING	1 WATTS	1 WATTS	2 WATTS	2 WATTS	2.5 WATTS	3 WATTS	3 WATTS	4 WATTS	4 WATTS	4 WATTS	6 WATTS	6 WATTS	
DIMENSION	A ±.04	6.49	7.97	9.843	12.796	13.780	17.716	19.969	21.654	22.969	25.969	41.338	50.166
	B ±.02	6.10	7.60	9.450	12.403	13.386	17.323	19.575	21.260	22.575	25.575	40.944	49.772