

REV.	BY	DATE	P/N
F	DMS	3-10 97	LW20 ADDED SHAFT STYLES

**ELECTRICAL**

RESISTANCE RANGE \_\_\_\_\_ SEE CHART  
 RESISTANCE TOLERANCE \_\_\_\_\_ ±5%  
 LINEARITY, INDEPENDENT \_\_\_\_\_ SEE TABLE  
 RESOLUTION \_\_\_\_\_ SEE CHART  
 MINIMUM RESISTANCE \_\_\_\_\_ 1 OHM OR 0.1%  
 STROKE \_\_\_\_\_ SEE TABLE  
 NOISE \_\_\_\_\_ 100 OHM MAX.  
 POWER RATING @40°C \_\_\_\_\_ SEE TABLE  
 INSULATION RESISTANCE \_\_\_\_\_ 100 MEGOHMS AT 1000 VDC  
 DIELECTRIC STRENGTH \_\_\_\_\_ 1 MIN @ 1000VAC

**MECHANICAL**

STROKE \_\_\_\_\_ SEE TABLE  
 STOP STRENGTH \_\_\_\_\_ 10 LBS MIN.  
 LIFE \_\_\_\_\_ 100,000 STROKES

MARKING: ETI SYSTEMS  
 SCHEMATIC, DATE CODE, RESIST., LIN  
 NATIONAL ORIGIN

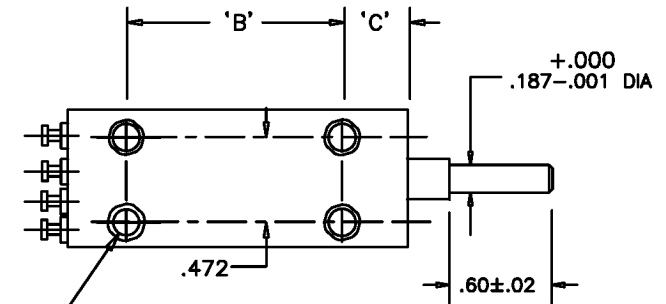
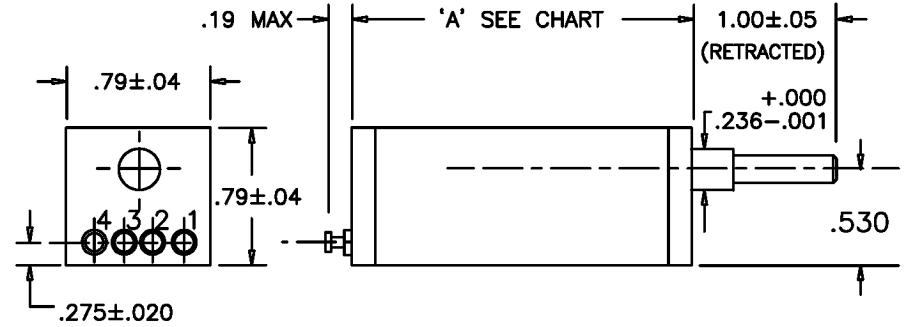
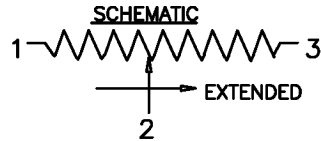
**ENVIRONMENTAL**

OPERATING TEMPERATURE RANGE \_\_\_\_\_ 30°C TO 105°C  
 TEMPERATURE COEFFICIENT \_\_\_\_\_ SEE CHART

**NON-STANDARD OPTIONS**

SPECIAL RESIS. & LINEARITY  
 MACHINED SHAFTS  
 EXTRA TAPS

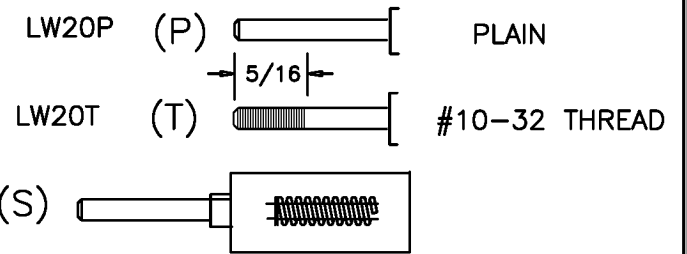
TERM. 4 IS USED FOR OPTIONAL TAPS ONLY



THREAD #6-32UNC-2B X .125DP.

**MODEL NO'S.**

**SHAFT STYLES**



**DIMENSION TABLE**

DASH NO.	APPROX WEIGHT	MECHANICAL STROKE +.080-.000	ELEC. STROKE ±.020	RESIS. RANGE	LINEARITY STANDARD PRECISION	A ±.04	B ±.02	C ±.04	POWER RATING	FRICTION MAX.
-15	1.8 OZ	.590	.590	500-10K	2.0% / 1.0%	1.97	.984	.500	.3 WATTS	1.8 OZ.
-30	2.4 OZ	1.180	1.180	500-10K	1.0% / 0.5%	2.56	1.57	.500	.6 WATTS	1.8 OZ.
-50	3.6 OZ	1.968	1.968	500-10K	0.7% / 0.4%	3.35	1.97	.690	.75 WATTS	3.6 OZ.
-100	4.3 OZ	3.937	3.937	1K-20K	0.5% / 0.25%	5.32	3.94	.690	1.25 WATTS	3.6 OZ.

**RESOLUTION TABLE**

RESISTANCE DASH NO.	15 OHMS	25	50	100	200	500	1K	5K	10K	15K	30K
-15	1.7	1.4	1.2	.87	.90	.72	.63	.44	.29		
-30		.59	.67	.53	.42	.48	.36	.28	.17	.13	
-50			.50	.39	.30	.24	.25	.20	.12	.09	.08
-100				.25	.19	.15	.12	.12	.09	.07	.05
TEMPERATURE COEFFICIENT	80 PPM/°C						20 PPM/°C				

**TOLERANCES**  
 XX = +/- .010" FRACT. = +/- 1/64"  
 XXX = +/- .005" ANGLES = +/- 1/2"  
 ALL SPECIFICATIONS SUBJECT TO CHANGE WITHOUT NOTICE.

SCALE: NONE  
 DATE: 4-25-86  
 BY: BT  
 APPR'D:  
 CODE IDENT: 19477

Precision Sales Inc.  
 www.precisionsales.com  
 F: 610-353-1674  
 610-359-1002

TITLE  
**LINEAR MOTION POTENTIOMETER**

PART NO.  
**LW20**

USED ON