

ELECTRICAL

RESISTANCE RANGE	-----	50 TO 300K
RESISTANCE TOLERANCE	-----	±5%
LINEARITY, INDEPENDENT	-----	SEE CHART
RESOLUTION	-----	SEE CHART
END RESISTANCE	-----	1 OHM OR 1%
ELECTRICAL TRAVEL	-----	SEE CHART
NOISE	-----	100 OHMS MAX
POWER RATING	-----	SEE CHART
INSULATION RESISTANCE	-----	100 MEGOHMS @ 1000 VDC
DIELECTRIC STRENGTH	-----	1000 VAC MIN.

MECHANICAL

NUMBER OF TURNS	-----	SEE CHART
MECHANICAL TRAVEL	-----	SEE CHART
TORQUE, ROTATIONAL	-----	2.8 OZ.IN.
SHAFT END PLAY	-----	.005 T.I.R.
LIFE (SHAFT REVOLUTIONS)	-----	SEE CHART
STOP STRENGTH	-----	125 OZ.IN. MIN.

ENVIRONMENTAL

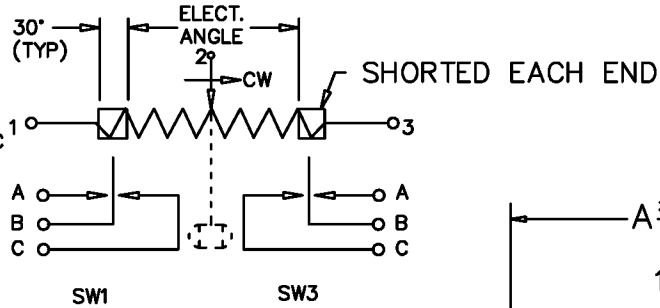
OPERATING TEMPERATURE	-----	-55°C TO +105°C
TEMPERATURE COEFFICIENT	-----	SEE CHART
VIBRATION	-----	10HZ TO 2000HZ 15G
SHOCK	-----	50G 11MS
MOISTURE RESISTANCE	-----	40°C 95%RH 120 HOURS

OPTIONS

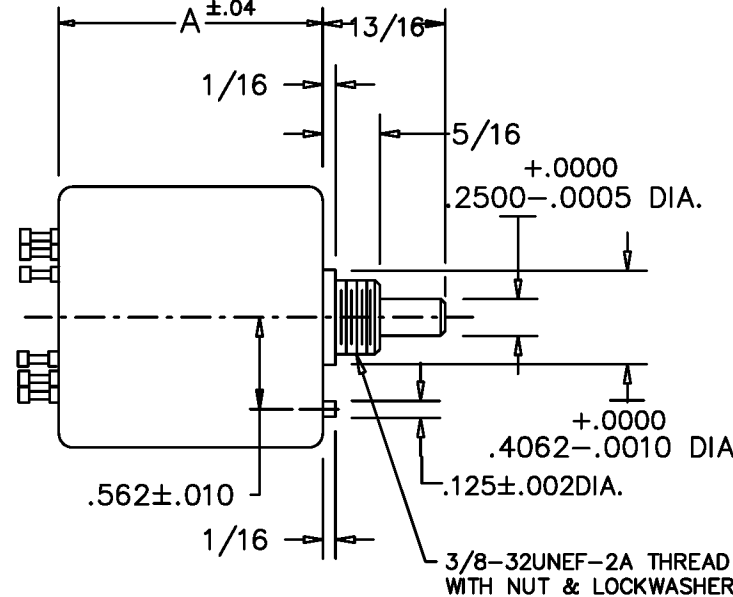
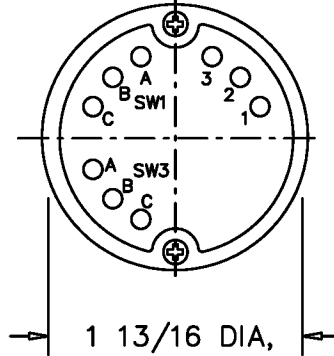
SPECIAL SHAFTS	BALL BEARINGS	SPECIAL RESISTANCES
SERVO MOUNT	SPECIAL LINEARITY	DUAL GANGS

MATERIAL

HOUSING	-----	THERMO-SETTING PLASTIC
SERVO LID	-----	ALUMINUM, ANODIZED
SHAFT	-----	STAINLESS STEEL
TERMINALS	-----	GOLD PLATED
BEARINGS	-----	BUSHING



SWITCH RATING=5 AMP @ 125V



% RESOLUTION AND TEMPERATURE COEFFICIENT CHART

		# SLIDEWIRE (INFINITE RESOLUTION)																											
RESIS. MODEL		.5	1	2	5	10	20	50	100	200	500	1K	2K	5K	10K	20K	50K	100K	200K	300K	ELECTRICAL TRAVEL	MECHANICAL TRAVEL	LINEARITY (IND.)	NO. OF TURNS	POWER RATING @ 40°C	ROTATIONAL LIFE (TURNS)	WEIGHT	A DIM.	
-3	#	#	#	#	#	.180	.145	.105	.084	.066	.048	.054	.043	.031	.024	.019	.014	.012				1080±5°	1080°+10°-0°	0.5%	3	2 WATTS	600,000	3.5 OZ.	2.63
-5	#	#	#	#	#	.108	.078	.061	.048	.035	.039	.031	.024	.017	.013	.009	.008				1800±5°	1800°+10°-0°	0.5%	5	2.5 WATTS	1,000,000	3.5 OZ.	2.63	
-10	#	#	#	#	#	.050	.040	.031	.023	.026	.020	.015	.012	.009	.007	.005	.004	.004				3600±5°	3600°+10°-0°	0.25%	10	5 WATTS	2,000,000	5.0 OZ.	3.31
TEMPCO		80 PPM/°C							20 PPM/°C																				