

SPECIFICATIONS

| | |
|--------------------------|---------------------------|
| RESISTANCE VALUES | 1K,2K,5K,10K,20K,50K,100K |
| RESISTANCE TOLERANCE | ±10% |
| LINEARITY(INDEPENDENT) | ±1% |
| ELECTRICAL ANGLE | 320°±5° |
| END RESISTANCE | 0.2% MAX. |
| RESOLUTION | ESSENTIALLY INFINITE |
| INSULATION RESISTANCE | 1000MEGOHMS @1000 VDC |
| DIELECTRIC STRENGTH | 1000 VAC |
| POWER RATING | 1 WATT |
| CONTACT RESIS. VARIATION | BELOW 2% C.R.V. |
| OUTPUT SMOOTHNESS | LESS THAN 0.1% |

MECHANICAL

| | |
|---------------------|------------------|
| NO OF TURNS | 1 |
| MECHANICAL ROTATION | 320 +10°-0° |
| ROTATIONAL LIFE | 20,000,000 TURNS |
| STOP STRENGTH | N/A |
| TORQUE | BELOW 0.3 OZ.IN. |
| WEIGHT | 1 OZ. |

ENVIRONMENTAL

| | |
|-------------------------|----------------------|
| OPERATING TEMPERATURE | -55°C TO +125°C |
| TEMPERATURE COEFFICIENT | ±400 PPM°/C |
| VIBRATION | 10HZ TO 2000HZ 15G |
| SHOCK | 50G |
| MOISTURE RESISTANCE | 40°C 95%RH 120 HOURS |

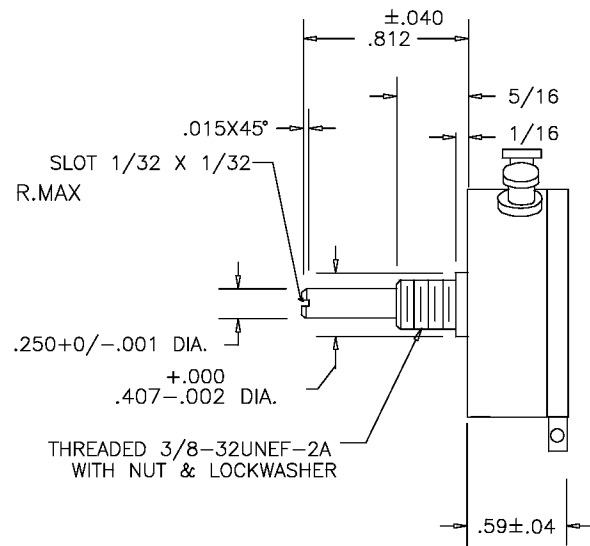
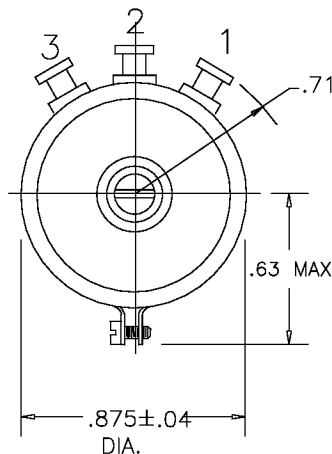
MATERIALS

| | |
|--------------------|--------------------------|
| HOUSING | ANODIZED ALUMINUM ,BLACK |
| SHAFT | STAINLESS STEEL |
| TERMINALS | GOLD PLATED BRASS |
| RESISTANCE ELEMENT | CONDUCTIVE PLASTIC |

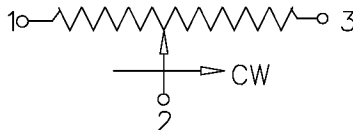
OPTIONAL FEATURES

SHAFT MODIFICATIONS
 REAR SHAFT
 CENTER TAP
 O'RING SHAFT SEAL
 BUSHING MOUNT
 SPECIAL ANGLES
 MULTIPLE SECTIONS

SP22B



SCHEMATIC



Precision Sales Inc.
www.precisionsales.com
eparts@precisionsales.com
 610-359-1002