

SPECIFICATIONS

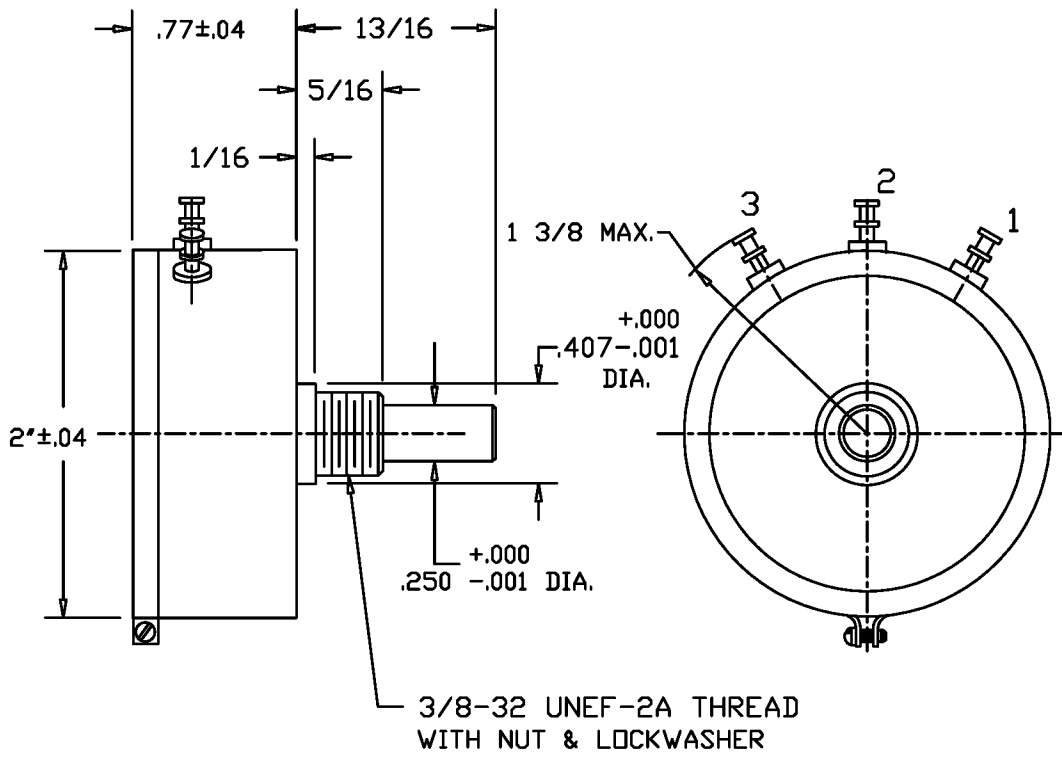
- ELECTRICAL**
- RESISTANCE RANGE ----- 1K TO 500K
 - RESISTANCE TOLERANCE ----- ±10%
 - LINEARITY(INDEPENDENT) ----- ±0.5%
 - ELECTRICAL ANGLE ----- 320°±5°
 - END RESISTANCE ----- 0.2% MAX.
 - RESOLUTION ----- ESSENTIALLY INFINITE
 - INSULATION RESISTANCE ----- 1000MEGΩHMS @1000 VDC
 - DIELECTRIC STRENGTH ----- 1000 VAC
 - POWER RATING ----- 3.0 WATTS
 - CONTACT RESIS. VARIATION --- BELOW 2% C.R.V.
 - OUTPUT SMOOTHNESS ----- LESS THAN 0.1%

- MECHANICAL**
- NO OF TURNS ----- 1
 - MECHANICAL ROTATION ----- 320°+10°-0°
 - ROTATIONAL LIFE ----- 20,000,000 TURNS
 - STOP STRENGTH ----- N/A
 - TORQUE ----- 0.5 OZ IN.
 - WEIGHT ----- 1 OZ.

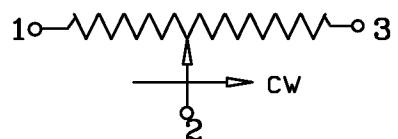
- ENVIRONMENTAL**
- OPERATING TEMPERATURE ----- -55°C TO +125°C
 - TEMPERATURE COEFFICIENT ----- ±400 PPM°/C
 - VIBRATION ----- 10HZ TO 2000HZ 15G
 - SHOCK ----- 50G
 - MOISTURE RESISTANCE ----- 40°C 95%RH 120 HOURS

- MATERIALS**
- HOUSING ----- ANODIZED ALUMINUM
 - SHAFT ----- STAINLESS STEEL
 - TERMINALS ----- GOLD PLATED BRASS
 - RESISTANCE ELEMENT ----- CONDUCTIVE PLASTIC

- OPTIONAL FEATURES**
- SHAFT MODIFICATIONS
 - REAR SHAFT
 - CENTER TAP
 - O'RING SHAFT SEAL
 - SERVO MOUNT
 - SPECIAL ANGLES
 - MULTIPLE SECTIONS



SCHMATIC



Precision Sales Inc.
www.precision-sales.com
eparts@precision-sales.com
 610-359-1002