

SPECIFICATIONS

SW22D

ELECTRICAL

RESISTANCE RANGE ----- 10 TO 20K OHMS
 RESISTANCE TOLERANCE ---- ±5%
 LINEARITY(INDEPENDENT) ---- ± 0.5%
 ELECTRICAL ANGLE ----- 320° ±5°
 END RESISTANCE ----- 1 OHM OR 0.2%
 ELECTRICAL NOISE(ENR) ---- 100 OHMS MAX.
 RESOLUTION ----- SEE CHART
 INSULATION RESISTANCE ---- 1000 MEGOHMS AT 1000 VDC
 DIELECTRIC STRENGTH ----- 1000 VAC MIN.
 POWER RATING ----- 0.5 WATTS

MECHANICAL

NO OF TURNS ----- 1
 MECHANICAL ANGLE ----- 320 ±5°
 ROTATIONAL LIFE ----- 500,000 TURNS
 STOP STRENGTH ----- 125 OZ IN.
 STARTING TORQUE ----- .70 OZ IN.
 WEIGHT ----- 1.1 OZ.
 SHAFT RADIAL PLAY ----- .003 T.I.R.
 SHAFT END PLAY ----- .005 T.I.R.

ENVIRONMENTAL

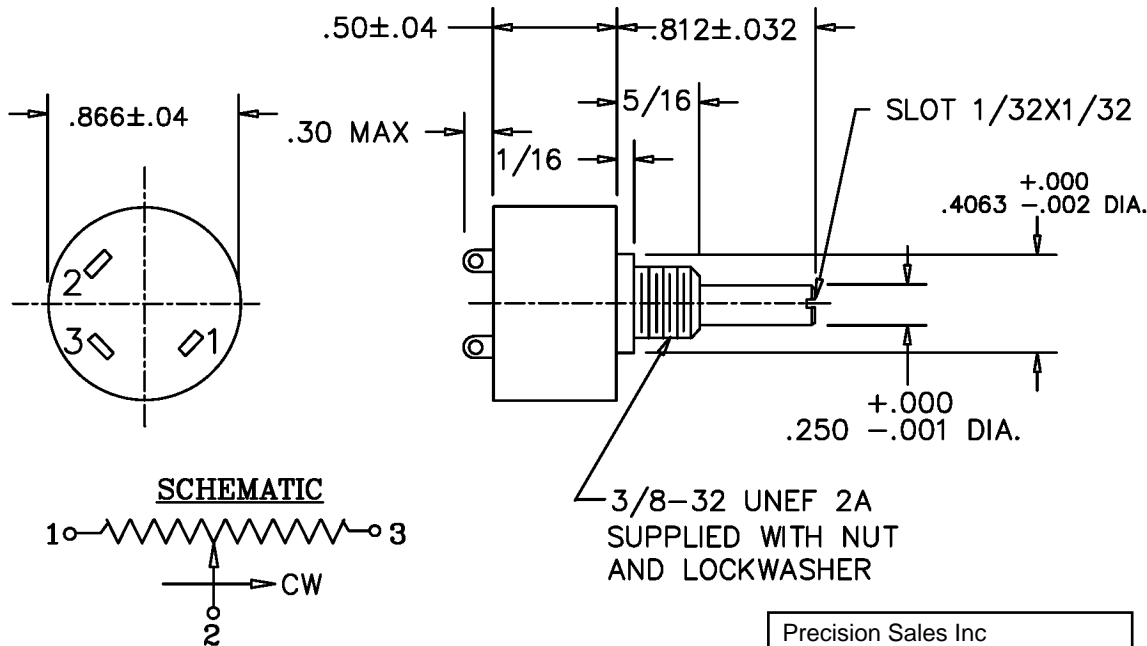
OPERATING TEMPERATURE --- -55°C TO +105°C
 TEMPERATURE COEFFICIENT --- SEE CHART
 VIBRATION ----- 10HZ TO 2000HZ 15G
 SHOCK ----- 50G 11MS
 MOISTURE RESISTANCE ----- 40°C 95%RH 240 HOURS

MATERIALS

HOUSING ----- METAL
 SHAFT ----- STAINLESS STEEL
 BUSHING ----- PLATED BRASS
 TERMINALS ----- GOLD PLATED
 RESISTANCE ELEMENT ----- WIREWOUND

OPTIONAL FEATURES

SHAFT MODIFICATIONS
 REAR SHAFT
 SPECIAL ANGLES
 CENTER TAP



Precision Sales Inc
 www.precisionsales.com
 eparts@precisionsales.com
 610-359-1002

RESISTANCE	10	20	50	100	200	500	1K	2K	5K	10K	20K
RESOLUTION	.333	.270	.333	.270	.213	.222	.175	.135	.100	.079	.060
TEMPERATURE COEFFICIENT PPM/°C	700	700	80	80	80	20	20	20	20	20	20